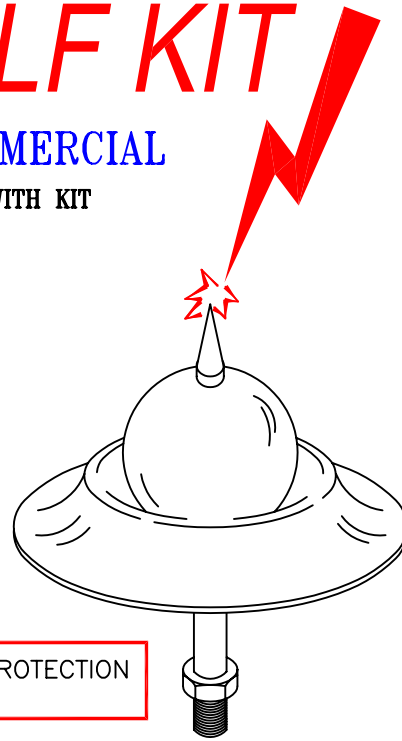


LIGHTNING PROTECTION DO-IT-YOURSELF KIT

HOME • FARM • SMALL COMMERCIAL

INSTALLATION INSTRUCTIONS INCLUDED WITH KIT

Preventor System 2005A



#LPA-2005A (PATENT #305,104) PROVIDES LIGHTNING PROTECTION WITH EASY-TO-INSTALL DESIGN

KIT NUMBER LPA2005AKIT		
LIST OF MATERIALS		
QTY.	PART NAME	CATALOG NO.
1	PREVENTOR 2005A AIR TERMINAL(LIGHTNING ROD)	LPA-2005A
1	5/8" x 6'-0" ALUMINUM ROD (MAST)	LPA-2010-5/8-6A
1	SADDLE BASE	HB-15A
1	4FT. GALVANIZED TRIPOD BRACE	HB-21AB-36GS
90ft.	ALUMINUM CABLE	HB-24-14A
25	ALUM. CABLE FASTENER (SMALL HOLE) AND NAIL	HB-67A, 65SS
30	ALUMINUM CABLE FASTENER (LARGE HOLE) AND MASONRY ANCHOR (FOR CHIMNEY INSTALLATION)	HB-66A
1	WATERLINE CONNECTOR	HB-103CR
1	ALUMINUM TEE CABLE SPLICER	HB-14A
1	ELECTRIC SERVICE GROUND CONNECTOR	HB-44C
1	COPPER TEE CABLE SPLICER	HB-14C
1	BIMETAL CONNECTOR	HB-93
40ft.	COPPER GROUNDING CABLE	HB-24-16C
7	COPPER CABLE FASTENER (LARGE HOLE)	HB-64C
22	STAINLESS STEEL SCREW	HB-80SS
3	5/8" x 8'-0" COPPERBOND GROUND ROD	HB-106GR8
3	GROUND ROD CONNECTOR	HB-111
1	VERTICAL BASE (FOR CHIMNEY INSTALLATION)	HB-22A

- MANUFACTURER'S STANDARD HBP-21 LEVEL 3 REQUIRES ONE (1) PREVENTOR 2005A TO BE USED FOR EVERY 70,650 SQ. FT. STRUCTURES SHALL NOT EXCEED 75 FT. IN HEIGHT, AND ROOF DIMENSIONS SHALL NOT EXCEED: 210 FT. x 210 FT. OR 290 FT. x 18 FT. THIS SYSTEM DESIGN IS BASED UPON OVER 25 YEARS OF SUCCESSFUL FIELD EXPERIENCE WITH ESE SYSTEMS.
- COPPER LIGHTNING PROTECTION COMPONENTS SHALL NOT BE INSTALLED DIRECTLY ON ALUMINUM SURFACES OR OTHER NON-COMPATIBLE SURFACES.
- SURGE ARRESTORS ARE RECOMMENDED FOR ELECTRIC, TELEVISION, CABLE T.V., SECURITY ALARMS (BURGLAR & FIRE). SURGE ARRESTORS ARE NOT INCLUDED IN THIS PACKAGE.
- ANY METAL PARTS OF ELECTRIC EQUIPMENT SHALL BE KEPT AT LEAST 6FT. (1.8m) AWAY FROM LIGHTNING CABLES, OR THEY SHALL BE BONDED TO THE LIGHTNING PROTECTION CABLES AT THE LOCATION WHERE THE SEPARATION DISTANCE IS LESS THAN 6FT. (1.8m). REFER TO NATIONAL ELECTRICAL CODE (NEC 70) ARTICLE 250-46, 1996 ADDITION.

MADE IN USA

LIGHTNING PREVENTOR OF AMERICA

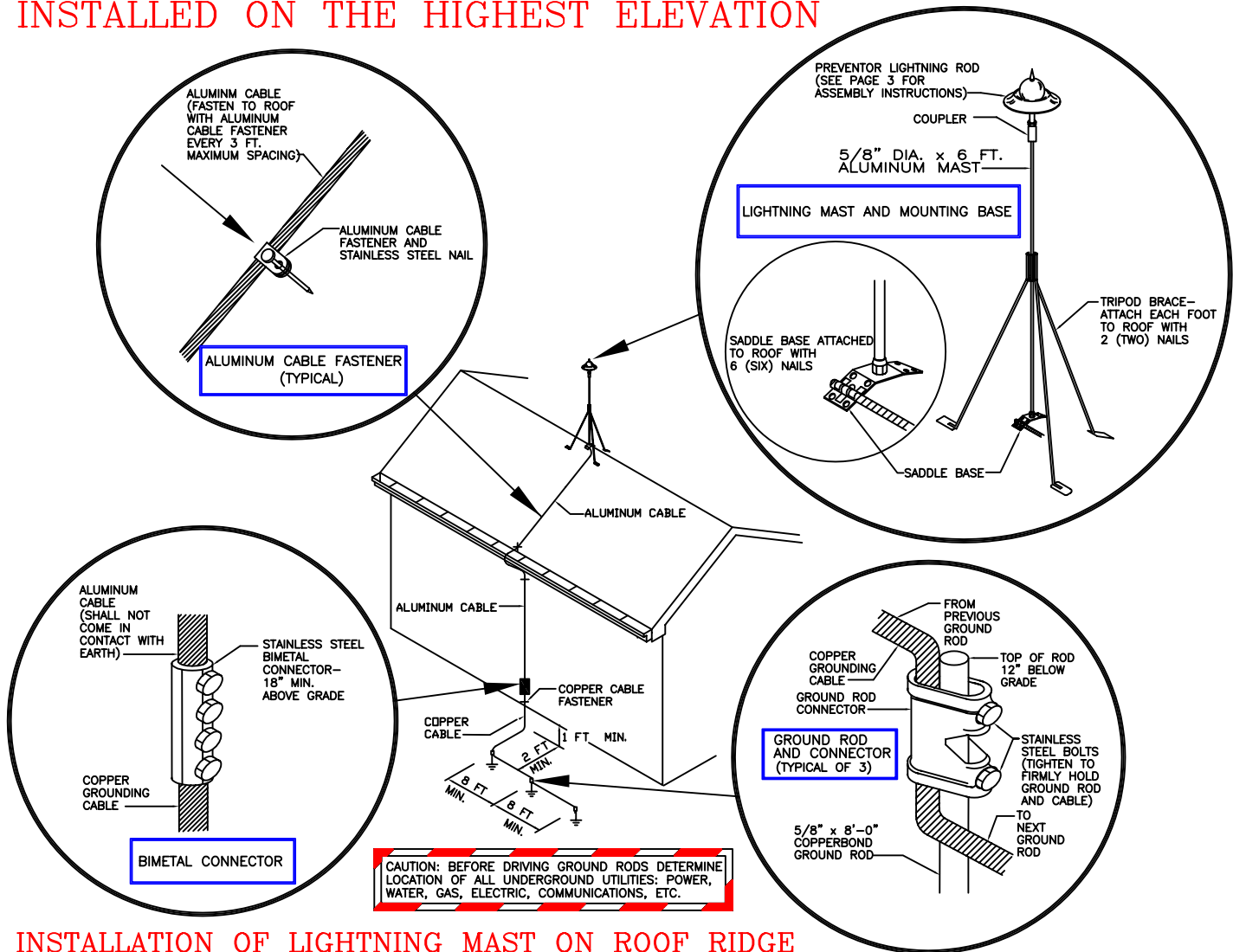
Authorized Representative: Barahona y Cia Ltda

Malaga 115 Of 1203 - 1205, Las Condes, Santiago, CHILE Telephone: 562-2280908 Fax: 562-2071510
Website: www.barahonaycia.com E-mail: cb@barahonaycia.com

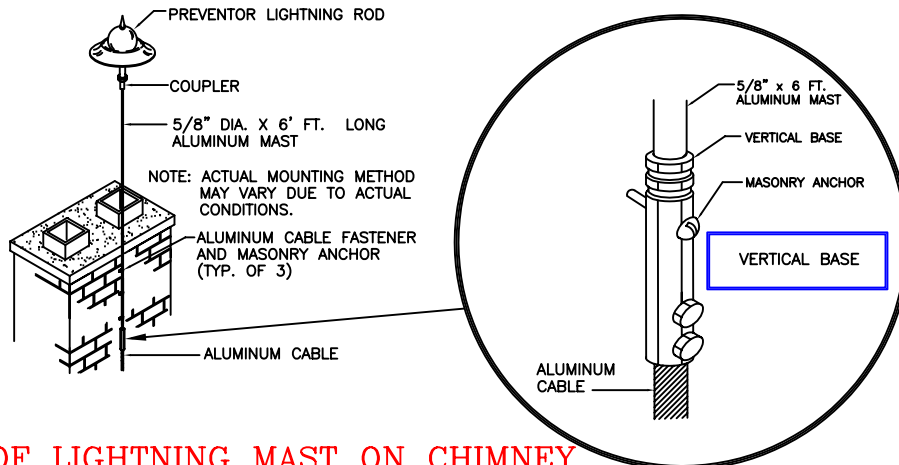
LIGHTNING PREVENTOR SYSTEM 2005A KIT INSTALLATION INSTRUCTIONS

(KIT INCLUDES MATERIALS FOR RIDGE OR CHIMNEY INSTALLATION)

- THE LIGHTNING MAST SHALL BE INSTALLED ON THE HIGHEST ELEVATION



INSTALLATION OF LIGHTNING MAST ON ROOF RIDGE



INSTALLATION OF LIGHTNING MAST ON CHIMNEY

LIGHTNING PREVENTOR OF AMERICA

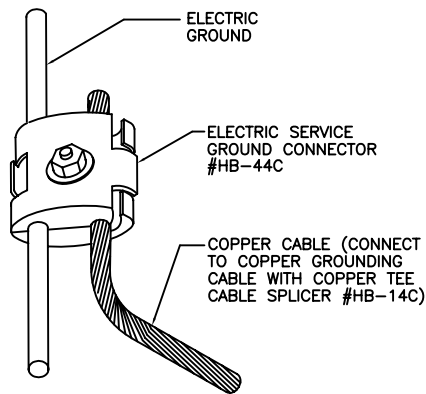
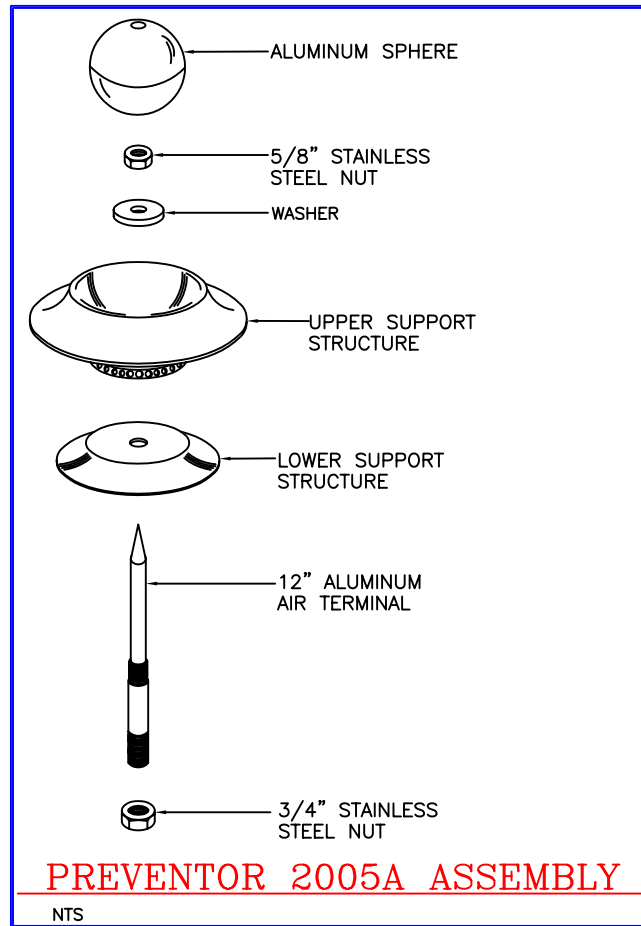
Authorized Representative: Barahona y Cia Ltda

Malaga 115 Of 1203 - 1205, Las Condes, Santiago, CHILE Telephone: 562-2280908 Fax: 562-2071510

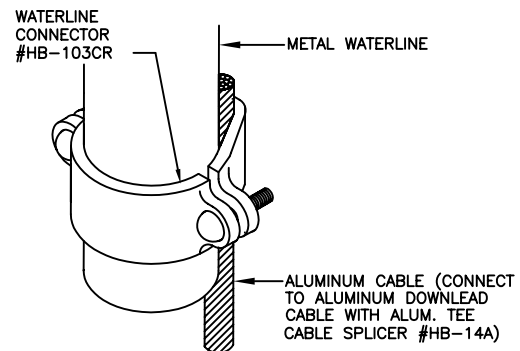
Website: www.barahonaycia.com

E-mail: cb@barahonaycia.com

LIGHTNING PREVENTOR SYSTEM 2005A KIT INSTALLATION INSTRUCTIONS



ELECTRIC SERVICE GROUNDING



WATERLINE CONNECTION

LIGHTNING PREVENTOR OF AMERICA

Authorized Representative: Barahona y Cia Ltda

Malaga 115 Of 1203 - 1205 , Las Condes, Santiago, CHILE Telephone: 562-2280908 Fax: 562-2071510

Website: www.barahonaycia.com

E-mail: cb@barahonaycia.com