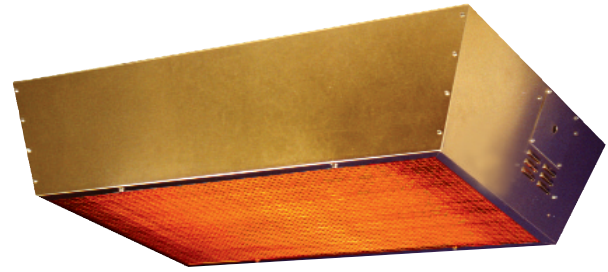


## Marquee Gas Infrared Heaters

### Features:

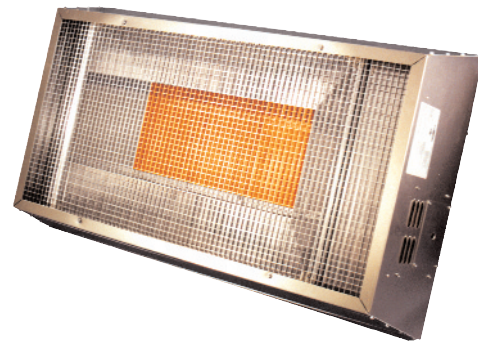
- 2 BTU Natural Gas Sizes
- Modular Burners - 20,000 BTUH per Burner
- Designed 8° Angle of Combustion Surface
- Horizontal to 20° Angle Mounting
- .050" Bright Aluminum Reflector
- Reinforced Corners
- Easy Mounting via Chains & 'S' Hooks
- 24V Operating Voltage - Eliminates Need to Run Wiring in Conduit
- Gold Anodized Aluminum Weather Proof Housing



*Fostoria Infrared Marquee Heaters, fueled by natural gas, are economical to operate. Efficient zone control directs the heat exactly where it is wanted. There are no moving parts to wear out. The heaters are almost maintenance free. Installation is simple and inexpensive.*

### Accessories:

- Chain Mounting Kit  
(Consists of (2) 8' Lengths of Chain and (4) 'S' Hooks)
- 24 Volt Thermostat - Model RK120EAA  
(24 Volt, Heat Only, 50°-90° )
- 120 Voltage Control Kit  
(Consists of 120/24 Volt Transformer, Wiring Box with Cover and 8' Cordset. One Kit per Heater Required if Line Voltage Control of Heater is Desired)
- 120 Volt Thermostat - Model TW 141  
(120 Volt, 22 amp, Single Pole, To Be Used with 120 Volt Control Kit)



*Every Infrared Marquee Heater comes completely prewired, prepiped, factory tested and operated. The assembled package consists of : gas infrared burners, ignition control compartment, heater housing, gas valve, reflector, gold anodized aluminum weatherproof housing, and egg crate wind screen at reflector face.*

### Applications:

- Store Front Canopies
- Loading Docks
- Drive-In Banks
- Shopping Centers
- Ticket Offices
- Patios
- Restaurants
- Malls
- Work Stations



*Removable side panel for easy wiring.*

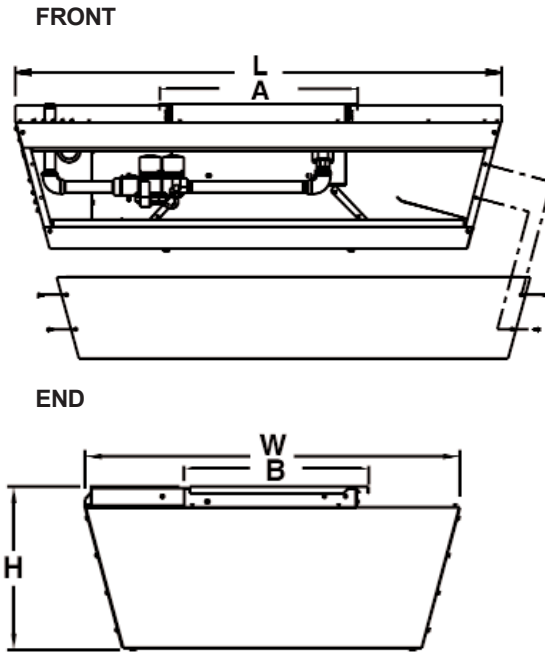
# Gas Infrared Heater



## Specifications

Series (prefix)	FLM 40	FLM 60
<b>BTUH Input</b> Natural Gas	40,000	60,000
<b>Mounting Heights</b> Horizontal Angle 0°-20°	10'-16" 10'-16"	12'-20" 10'-16"
<b>Clearance to Combustible:</b> Side Rear Top Below	36" 40" 40" 48"	36" 40" 40" 72"
<b>Dimensions</b> L - Length W - Width H - Height	39" 27" 12"	45-1/4" 27" 12"
<b>Mounting Holes</b> A - Length B - Length	14-7/8" 10-3/8"	21-1/8" 10-3/8"
<b>Shipping Weight (lbs.)</b>	47#	56#

## Dimensions



Complete unit and all components manufactured in the United States. All ceramic plaques are full burner screens. Burner bodies are high temperature cast aluminum with steel venturi tubes. Reflector constructed of high polished gold anodized aluminum. Instant heat, ceramic plaque reaches maximum infrared intensity very rapidly. Recycling electric ignition automatically relights pilot in case of outage.

FLM_ _	BTUH (see specs)	+ Control Option (see below)
Series 40	(40,000)	NESD
60	(60,000)	
Example: FLM60 NESD 60,000 BTU Natural Gas with Electric Spark Ignition, Intermittent Pilot, 24V Operating Voltage		

## Control Options

- NESD Natural Gas, Electric Spark Ignition, Intermittent Pilot, 24V Gas Valve (24V Operating Voltage)
- A Line Voltage Control Kit (8886100) is available, which includes a 120/24 transformer, thus allowing 120V control.*

## Gas Supply

<b>Gas Pressure to Unit</b>	
Natural Gas	6" W.C.
<b>Inlet Gas Connection</b>	
Natural Gas	1/2" W.C.

